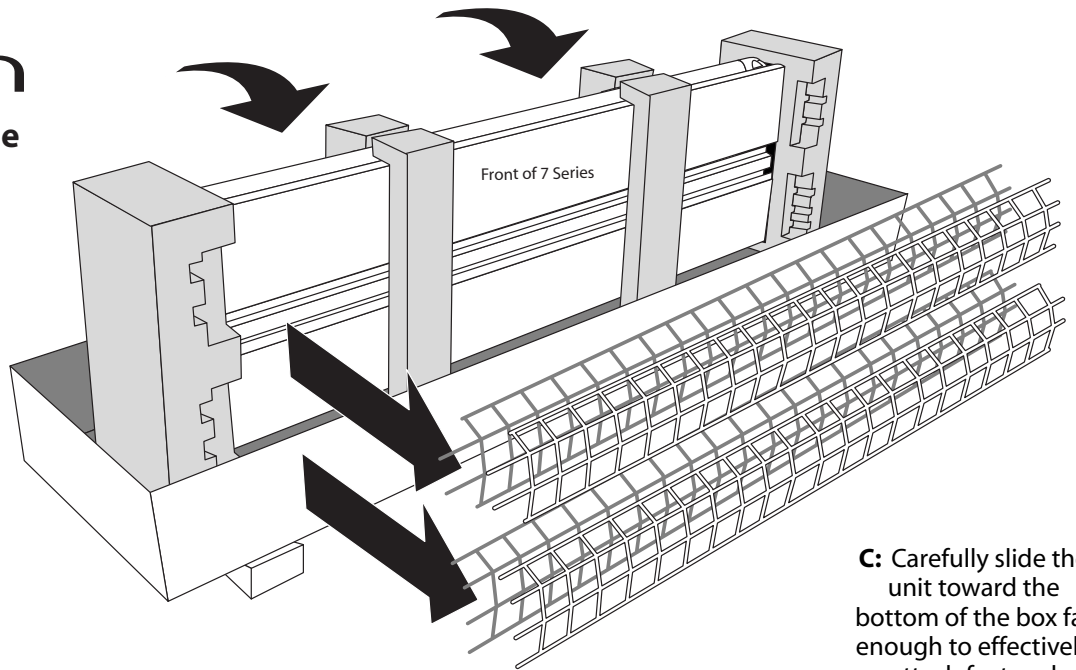


Daavlin

7 Series Installation Guide

Step 1

Roll unit onto its side. Remove grids from foam padding and place in secure location until needed.



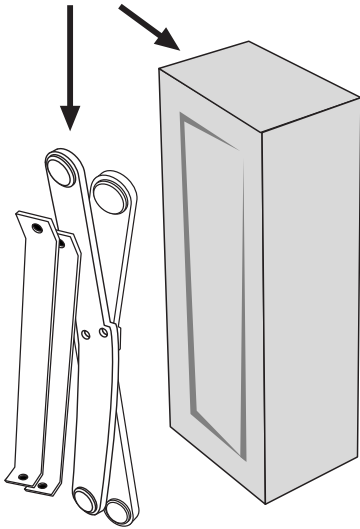
C: Carefully slide the unit toward the bottom of the box far enough to effectively attach feet and stabilizer bars.

Step 2

A: Unfold bottom of box. (Bottom of box is where the stabilizer bars and feet are stored)

B: Remove stabilizer bars and feet and set aside.

Remove foam padding from bottom of unit.

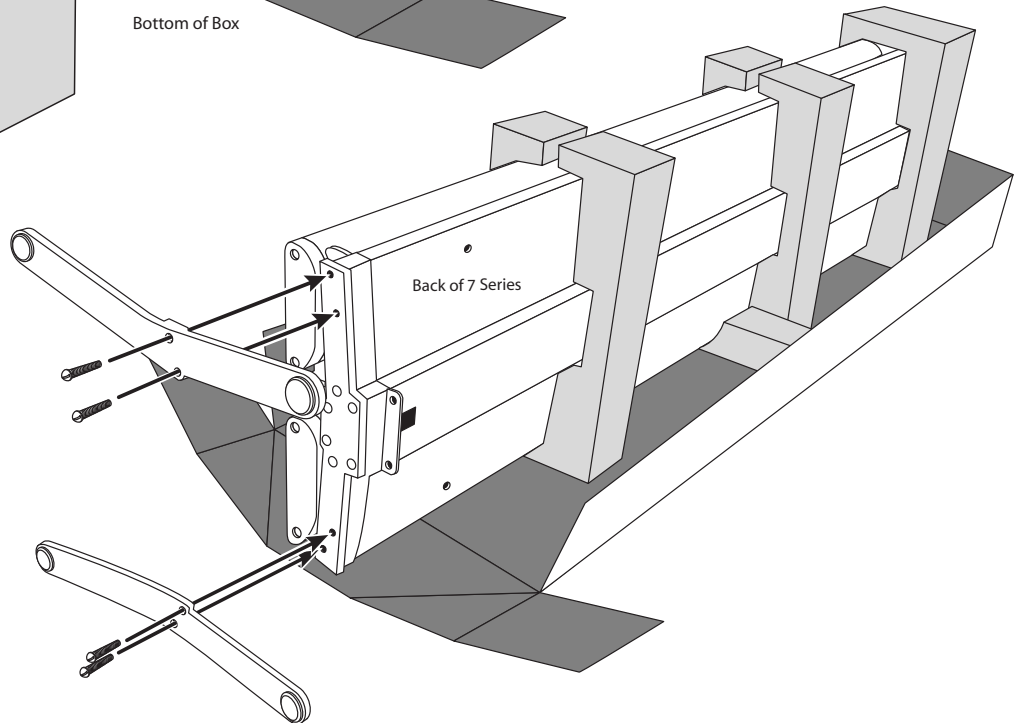


Bottom of Box

Back of 7 Series

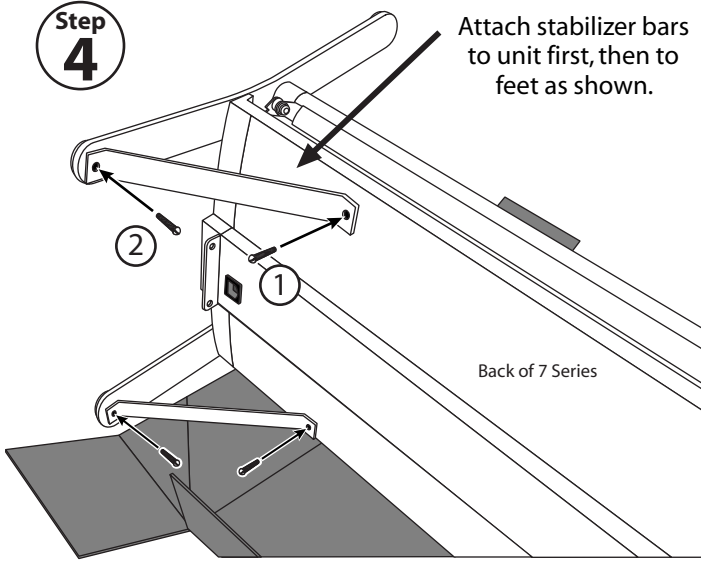
Step 3

Attach feet to the bottom of unit. To ensure the stability of the unit, be sure to place feet at the proper angle as shown.



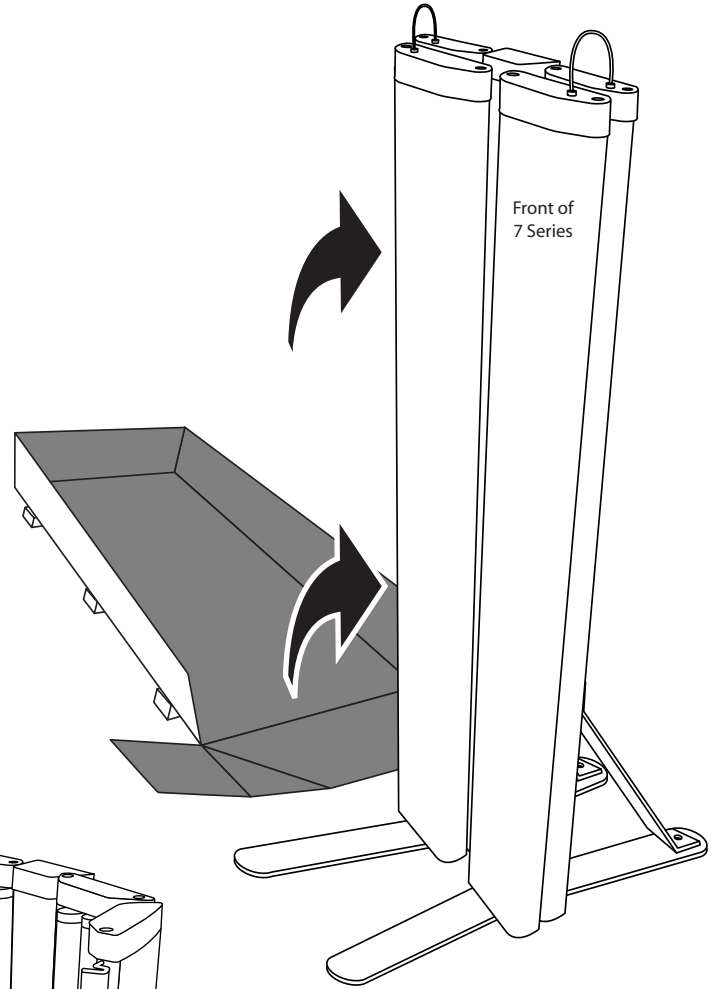
Step 4

Attach stabilizer bars to unit first, then to feet as shown.



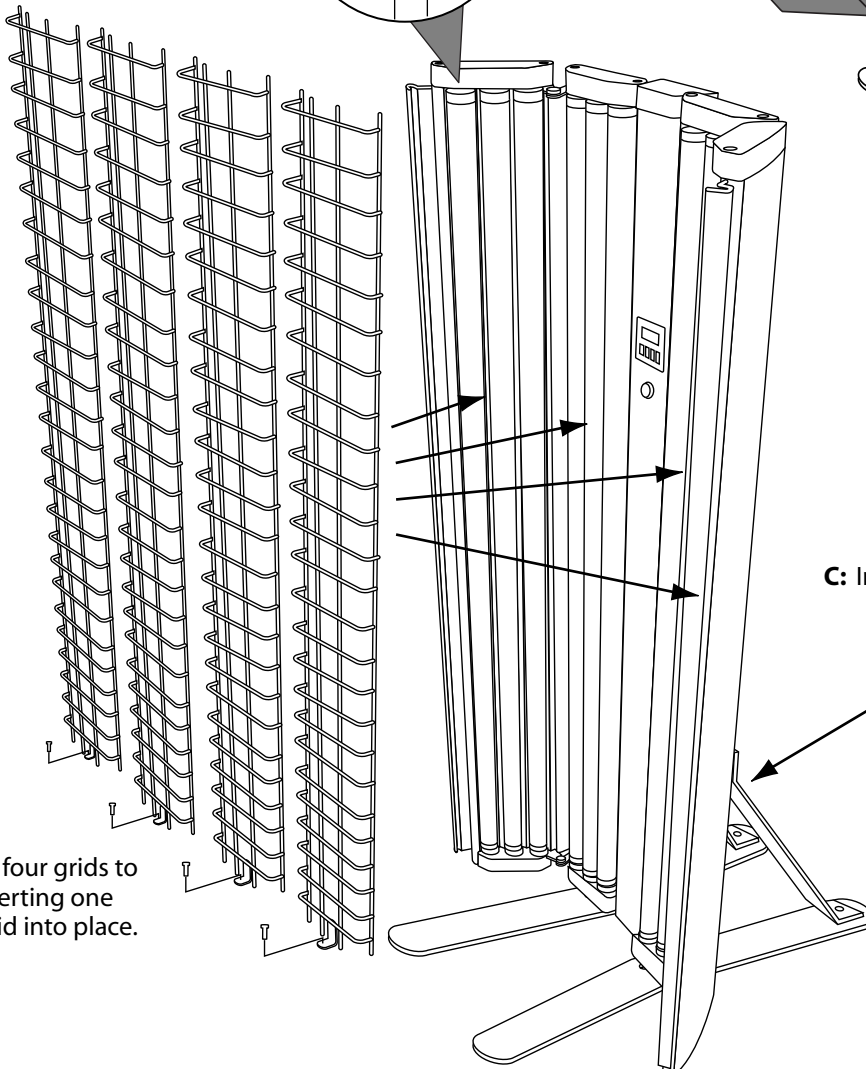
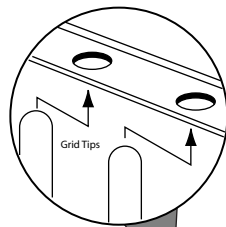
Step 5

Carefully raise the unit onto its feet so it sets securely upright.



Step 6

A: Attach all four grids to unit by placing grid tips into the pre-drilled holes. Insert top of grid first, then bottom.



B: Secure all four grids to unit by inserting one screw per grid into place.

C: Insert power cord and begin using your 7 Series.

