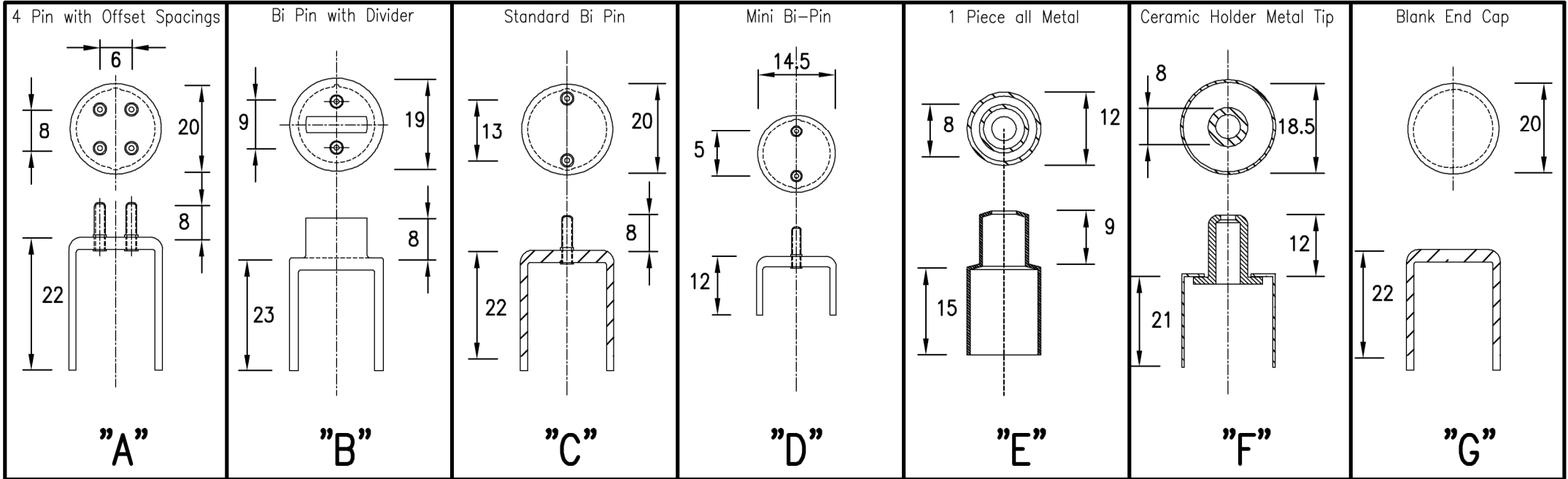


LAMP SPECIFICATION SHEET



1. Choose endcap type (above)
2. Enter dimensions and endcap type on lamp drawing (below)
3. Enter electrical specifications for lamp control gear (As shown on ballast)
4. Tick Ozone or non ozone producing glass
5. Indicate single, double or no 'external wires' (Preferably sample lamp to be sent)

Electrical specification:

Voltage _____

Wattage _____

Ozone Non ozone

